

# WHEEL SMITH



## Wheel Catalog

MADE TO ORDER

### SMOOTHIE WHEELS



Available in 14", 15", 16", 17", 18" and 20" diameter coming soon.  
Bolt Patterns: [5 on 4.5"], [5 on 4.75"], [5 on 5"], [5 on 5.5"], [6 on 5.5"]

### VINTAGE WHEELS



Available in 15" and 16" diameter.  
Bolt Patterns: [5 on 4.5", 5 on 4.75"], [5 on 5.5"]

### ARTILLERY WHEELS



Available in 15" diameter.  
Bolt Patterns: [5 on 4.5", 5 on 4.75"], [5 on 5", 5 on 5.5"]



### SMOOTHIE, VINTAGE, AND ARTILLERY WHEEL ACCESSORIES



Smooth & Ribbed Trim Rings Adapter Ring  
Small hubcaps available with Adapter Ring



CALL 800-854-8937 Monday-Friday 8:00am-4:30pm Pacific to start your order. • OR • Click this code to fill out our Quote Request Form:



### SPECIALTY WIRE WHEELS



Available in 14", 15" and some at 18".  
56 or 48 Spoke Chrome or Stainless Steel  
Bolt Patterns: [5 on 4.5"/4.75"], [5 on 5"/4.75"], or 5 on 5.5"  
Also available with Stainless Steel Spokes and Nipples.

# HOT ROD WIRE WHEELS



Available in 14", 15", 16", 17", 18" diameter.  
Bolt Patterns: [5 on 4.5", 5 on 4.75"] and [5 on 5", 5 on 5.5"]  
Also available with Stainless Steel Spokes and Nipples.

# WIRE WHEEL ACCESSORIES



Ford Crest Tri-Bar



Thunderbird Tri-Bar Caps

# OEM STYLE WHEELS



Available in 15", 17", 18" and 20" diameter coming soon.  
Bolt Patterns: [5 on 4.5"], [5 on 4.75"], [5 on 5"], [5 on 5.5"], and [6 on 5.5"].  
8-Lug only available on 16": 16x6, 16x7, 16x8, 16x10

# OEM ACCESSORIES

Fit any 10-1/8" inside diameter hub cap.



Smooth & Ribbed Trim Rings

# ALUMINUM WHEELS



Cast Aluminum:  
Artillery - 17" & 18"  
Dirt Track - 15" & 17"  
Billet - Available in 16", 17", 18" and 20"



CALL 800-854-8937 Monday-Friday 8:00am-4:30pm Pacific to start your order. • OR • Click this code to fill out our Quote Request Form:



## HOW TO MEASURE YOUR CAR FOR PROPER WHEEL FITMENT.

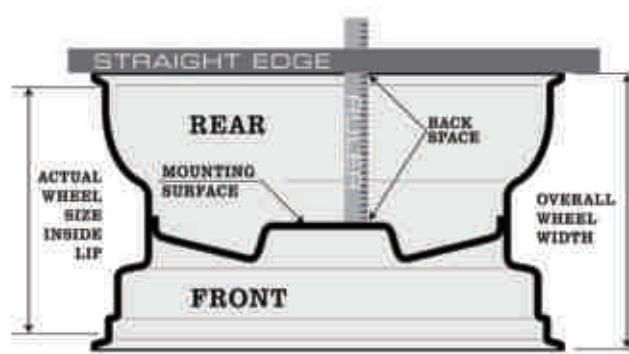
Jack vehicle up on level ground by the suspension. Remove the lug nuts and wheels. Support the car with Jack Stands at the suspension. Be sure the hub's mounting surface is vertical. Use a rigid straight edge for all measurements, about 30" long for best results. When measuring from the mounting surface, be sure to use that side of the straight edge for measurements.

### STEP BY STEP

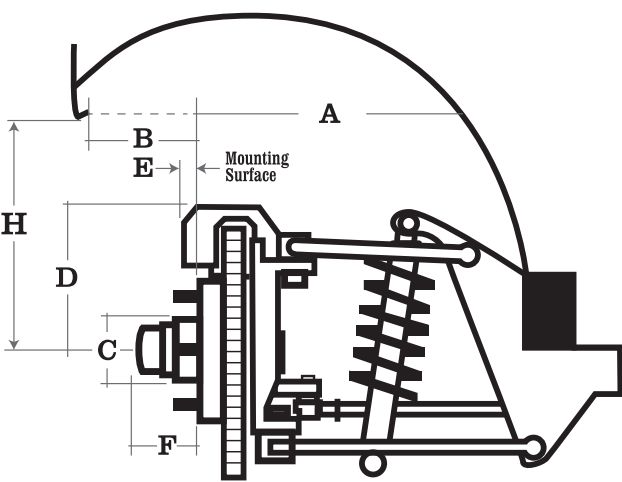
- Measure the mounting surface to the fender edge at the highest point (B).
- Measure from the mounting surface to the first obstruction on the frame side at that verticle point of the fender edge (A).
- Measure the hub diameter (C).
- Measure radius from the hub center to top of the brake caliper (D).
- Measure the mounting surface to the outer edge of brake caliper (E).  
Not necessary for drum brakes.
- Measure the hub length from the mounting surface (F).  
Not necessary on rear wheels.
- Measure the distance from the center of hub and top of fender lip (H).

### CURRENT WHEELS:

WHEEL STYLE _____	BOLT PATTERN _____
FRONT WHEEL SIZE _____	REAR WHEEL SIZE _____
FRONT BACKSPACE _____	REAR BACKSPACE _____
FRONT TIRE SIZE _____	REAR TIRE SIZE _____



### FRONT WHEEL



Left (drivers side)

A: \_\_\_\_\_ B: \_\_\_\_\_

C: \_\_\_\_\_ D: \_\_\_\_\_

E: \_\_\_\_\_ F: \_\_\_\_\_

H: \_\_\_\_\_

Right (pass. side)

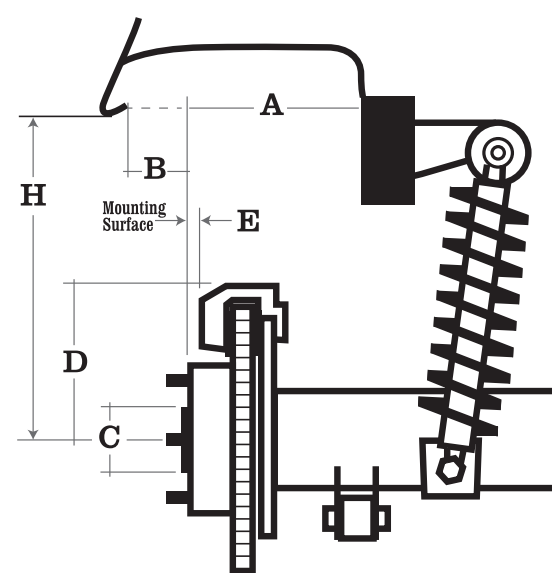
A: \_\_\_\_\_ B: \_\_\_\_\_

C: \_\_\_\_\_ D: \_\_\_\_\_

E: \_\_\_\_\_ F: \_\_\_\_\_

H: \_\_\_\_\_

### REAR WHEEL



Left (drivers side)

A: \_\_\_\_\_ B: \_\_\_\_\_

C: \_\_\_\_\_ D: \_\_\_\_\_

E: \_\_\_\_\_ H: \_\_\_\_\_

Right (pass. side)

A: \_\_\_\_\_ B: \_\_\_\_\_

C: \_\_\_\_\_ D: \_\_\_\_\_

E: \_\_\_\_\_ H: \_\_\_\_\_

FAX THE COMPLETED WORKSHEET TO WHEELSMITH AT: 951-340-0562



## The WheelSmith Limited Warranty

The WheelSmith chrome wheels and accessories are warranted for a period of 6 months from the date of purchase to the original owner. Oxidation or corrosion of the finish due to neglect and/or adverse weather or chemicals is not covered by this warranty. The WheelSmith assumes no responsibility for diagnosis, removal and installation labor, loss of vehicle use, loss of time, inconvenience, painting or other consequential damages or expense. Any claim made pursuant to this warranty regarding crooked wheels shall be conditioned upon the WheelSmith's inspection thereof.

Those claiming under this warranty shall, at WheelSmith's option, have the following remedy against The WheelSmith in substitution for all other remedies or rights: the right to (a) repayment, or credit towards the purchase of a new wheel; or (b) the replacement of said wheel or accessory.

This warranty is the only warranty covering wheels or accessories. THERE ARE NO OTHER WARRANTIES, EXPRESSED OR IMPLIED, INCLUDING WITHOUT LIMITATION ANY WARRANTY OF MERCHANTABILITY OR FITNESS FOR A PARTICULAR PURPOSE.

There is no warranty on any painted or powder coated products. There are no returns allowed on custom offset wheels, or O.E.M. - Type wheels applications. There are no returns allowed after thirty (30) days. No exceptions. YOU MOUNT IT. YOU OWN IT!

There will be a twenty percent (20%) restocking charge on all returned items and no allowance for freight charges incurred. All return items MUST BE accompanied by a Return Authorization Number and a copy of your receipt. YOU PAINT IT, OR MOUNT IT, YOU OWN IT.

### CALL OUR ORDER HOT-LINE

800-854-8937 • 951-898-4563

TheWheelSmith.net

1601 Commerce St., Corona, CA 92878

