

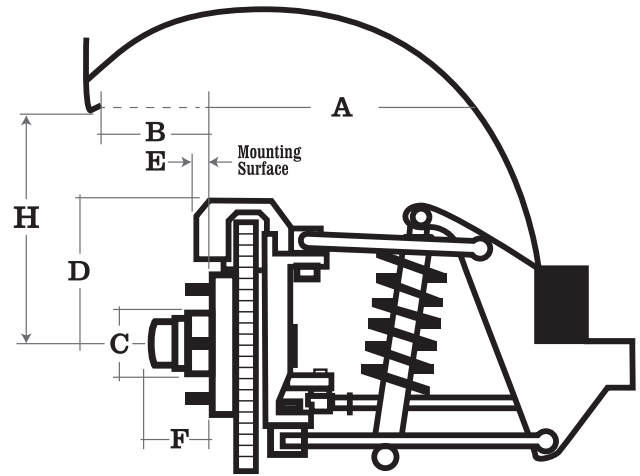


HOW TO MEASURE YOUR CAR FOR PROPER WHEEL FITMENT.

Jack vehicle up on level ground by the suspension. Remove the lug nuts and wheels. Support the car with Jack Stands at the suspension. Be sure the hub's mounting surface is vertical. Use a rigid straight edge for all measurements, about 30" long for best results. When measuring from the mounting surface, be sure to use that side of the straight edge for measurements.

STEP BY STEP

- Measure the mounting surface to the fender edge at the highest point (B).
- Measure from the mounting surface to the first obstruction on the frame side at that verticle point of the fender edge (A).
- Measure the hub diameter (C).
- Measure radius from the hub center to top of the brake caliper (D).
- Measure the mounting surface to the outer edge of brake caliper (E).
Not necessary for drum brakes.
- Measure the hub length from the mounting surface (F).
Not necessary on rear wheels.
- Measure the distance from the center of hub and top of fender lip (H).



FRONT WHEEL

Left (drivers side)

Right (pass. side)

A: _____ B: _____

A: _____ B: _____

C: _____ D: _____

C: _____ D: _____

E: _____ F: _____

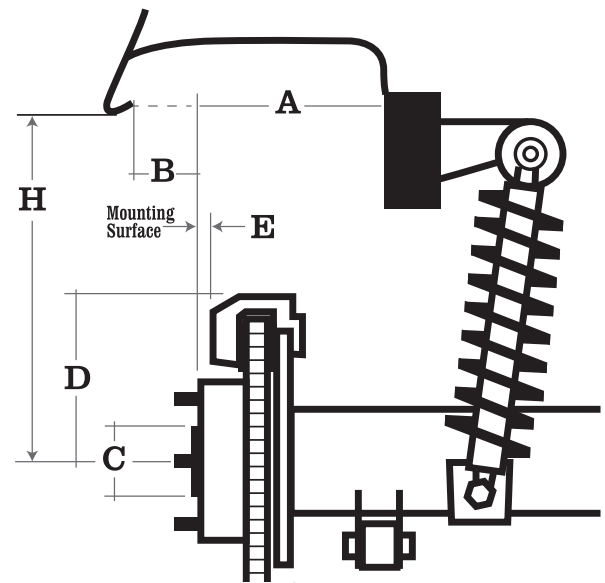
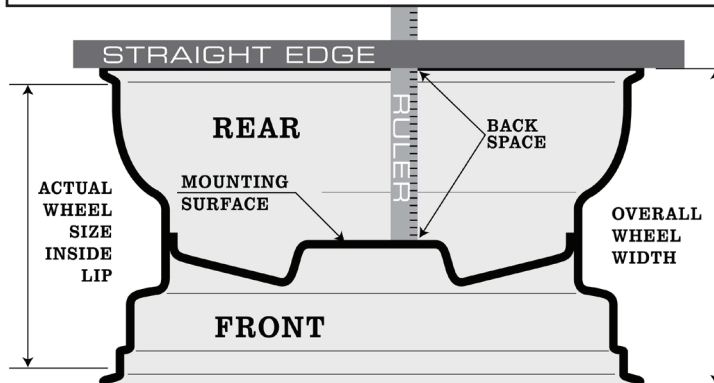
E: _____ F: _____

H: _____

H: _____

CURRENT WHEELS:

WHEEL STYLE _____	BOLT PATTERN _____
FRONT WHEEL SIZE _____	REAR WHEEL SIZE _____
FRONT BACKSPACE _____	REAR BACKSPACE _____
FRONT TIRE SIZE _____	REAR TIRE SIZE _____



Left (drivers side)

Right (pass. side)

A: _____ B: _____

A: _____ B: _____

C: _____ D: _____

C: _____ D: _____

E: _____ H: _____

E: _____ H: _____

FAX THE COMPLETED WORKSHEET TO WHEELSMITH AT: 951-340-0562