

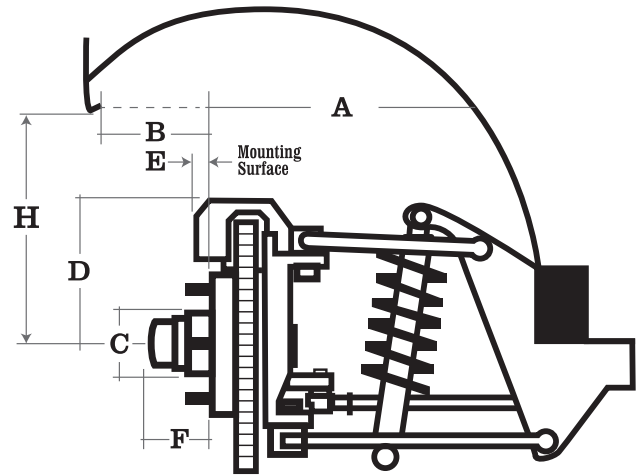


HOW TO MEASURE YOUR CAR FOR PROPER WHEEL FITMENT.

Jack vehicle up on level ground by the suspension. Remove the lug nuts and wheels. Support the car with Jack Stands at the suspension. Be sure the hub's mounting surface is vertical. Use a rigid straight edge for all measurements, about 30" long for best results. When measuring from the mounting surface, be sure to use that side of the straight edge for measurements.

STEP BY STEP

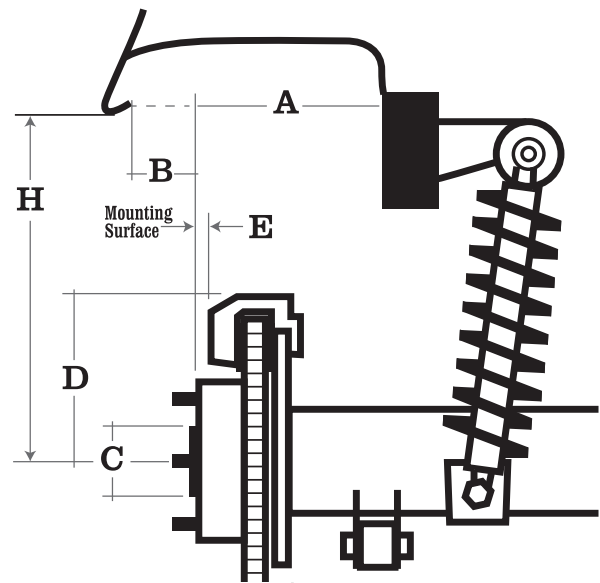
- Measure the mounting surface to the fender edge at the highest point (B).
- Measure from the mounting surface to the first obstruction on the frame side at that verticle point of the fender edge (A).
- Measure the hub diameter (C).
- Measure radius from the hub center to top of the brake caliper (D).
- Measure the mounting surface to the outer edge of brake caliper (E).
Not necessary for drum brakes.
- Measure the hub length from the mounting surface (F).
Not necessary on rear wheels.
- Measure the distance from the center of hub and top of fender lip (H).



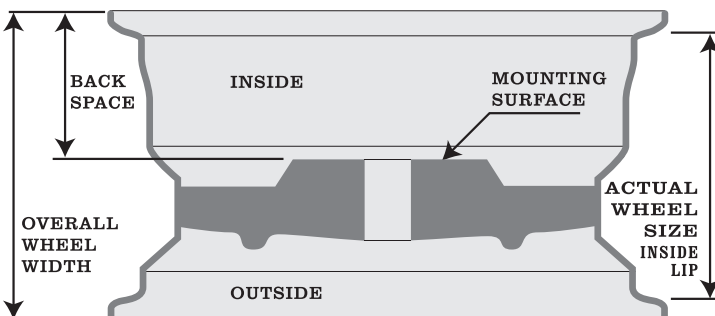
FRONT WHEEL

| Left (drivers side) | | Right (pass. side) | |
|---------------------|----------|--------------------|----------|
| A: _____ | B: _____ | A: _____ | B: _____ |
| C: _____ | D: _____ | C: _____ | D: _____ |
| E: _____ | F: _____ | E: _____ | F: _____ |
| H: _____ | | H: _____ | |

| CURRENT WHEELS: | |
|------------------------|-----------------------|
| WHEEL STYLE _____ | BOLT PATTERN _____ |
| FRONT WHEEL SIZE _____ | REAR WHEEL SIZE _____ |
| FRONT BACKSPACE _____ | REAR BACKSPACE _____ |
| FRONT TIRE SIZE _____ | REAR TIRE SIZE _____ |



| Left (drivers side) | | Right (pass. side) | |
|---------------------|----------|--------------------|----------|
| A: _____ | B: _____ | A: _____ | B: _____ |
| C: _____ | D: _____ | C: _____ | D: _____ |
| E: _____ | H: _____ | E: _____ | H: _____ |



FAX THE COMPLETED WORKSHEET TO WHEELSMITH AT: 951-340-0562